

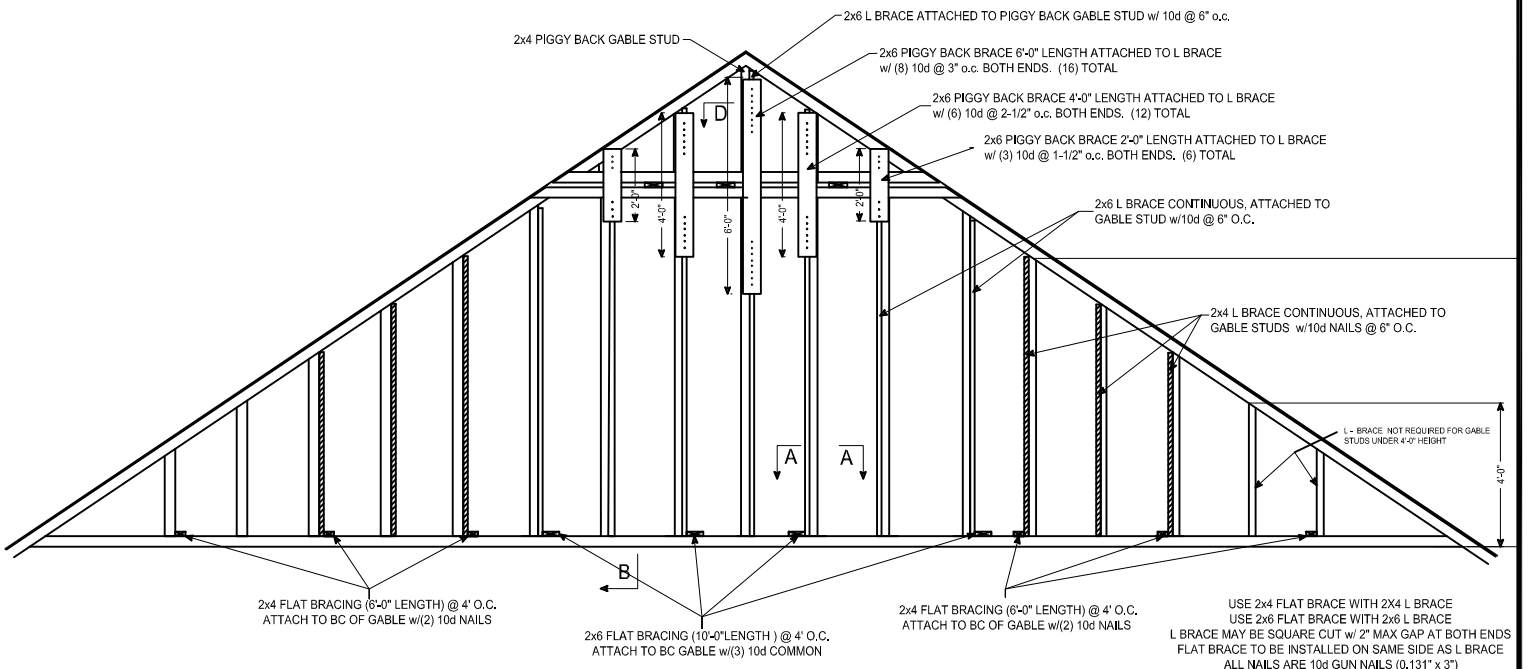
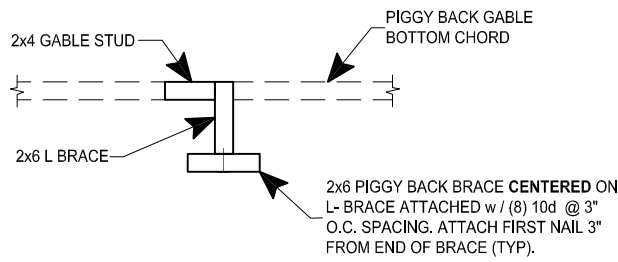
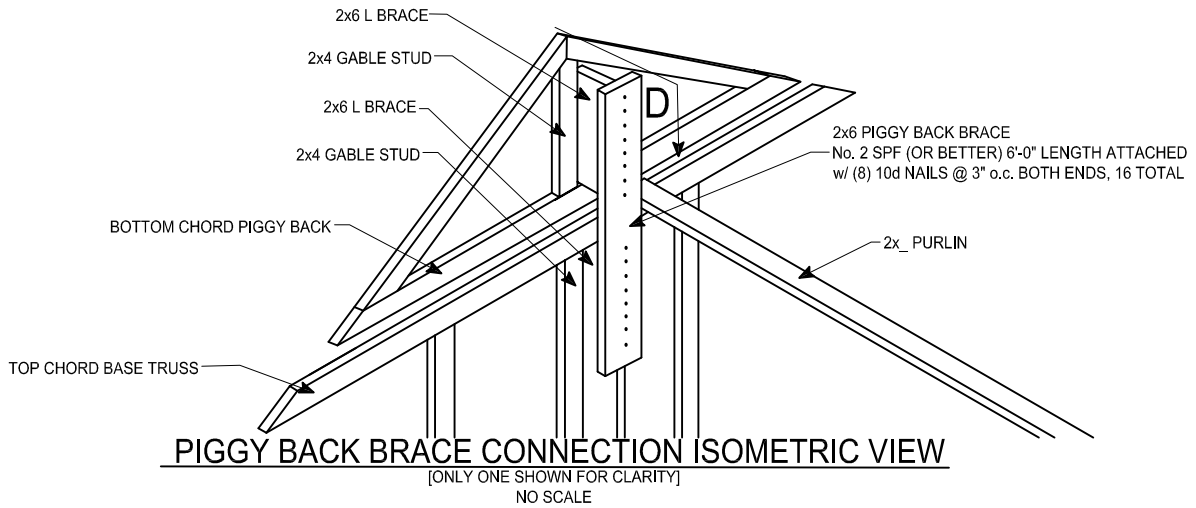
ISOMETRIC
NO SCALE

ULTIMATE DESIGN WIND SPEED 115 mph
EXPOSURE CATEGORY B
2018 IRC



227 GRANITE RUN DRIVE, SUITE 100, LANCASTER, PA 17601
PHONE: (717) 464-9060 • FAX: (717) 735-2034 • KeystoneCustomHome.com

SHEET DESCRIPTION:		KEYSTONE GABLE BRACE PAGE 2	
SCALE: AS NOTED	CREATED: 07/12/23	UD	006
DATE MODIFIED:	MODIFIED BY: JMK		
© COPYRIGHT 2022			



PIGGY BACK BRACE CONNECTION

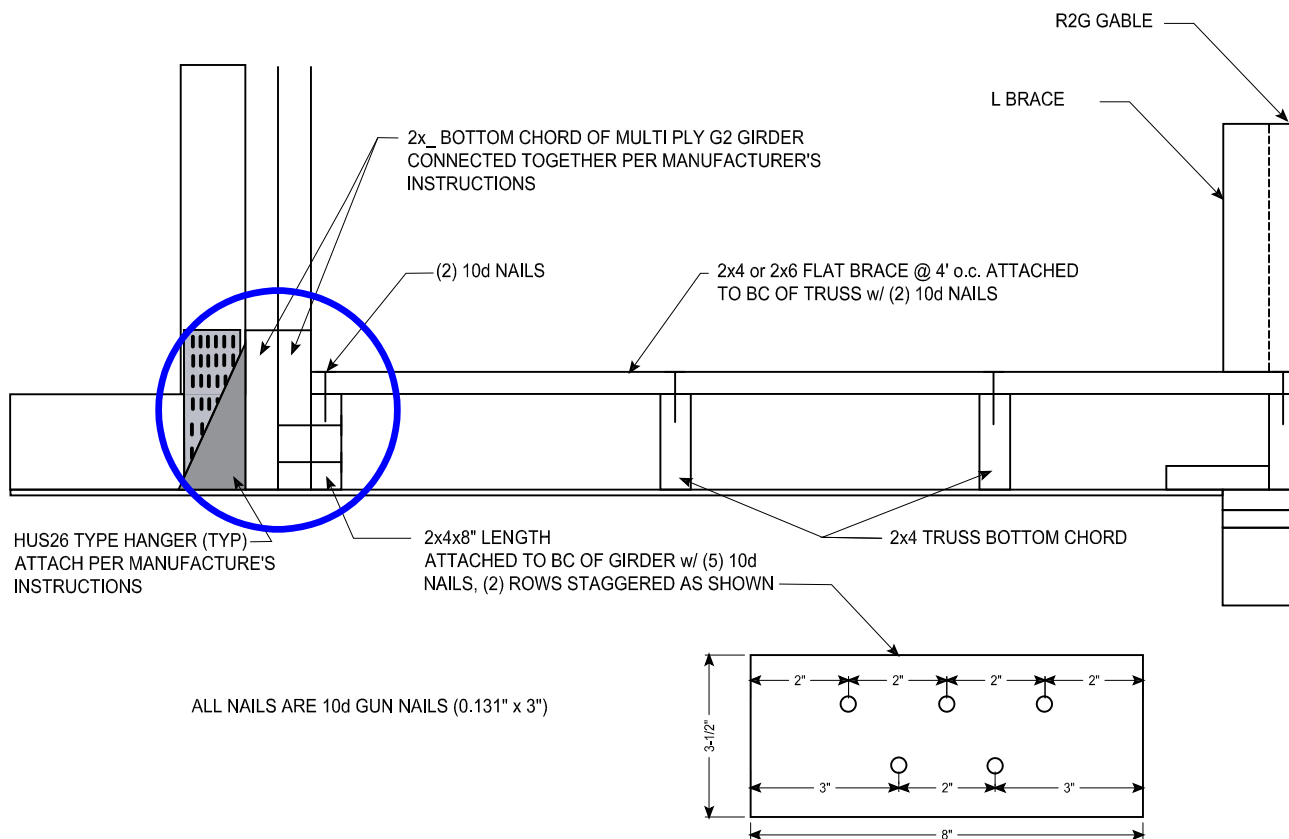
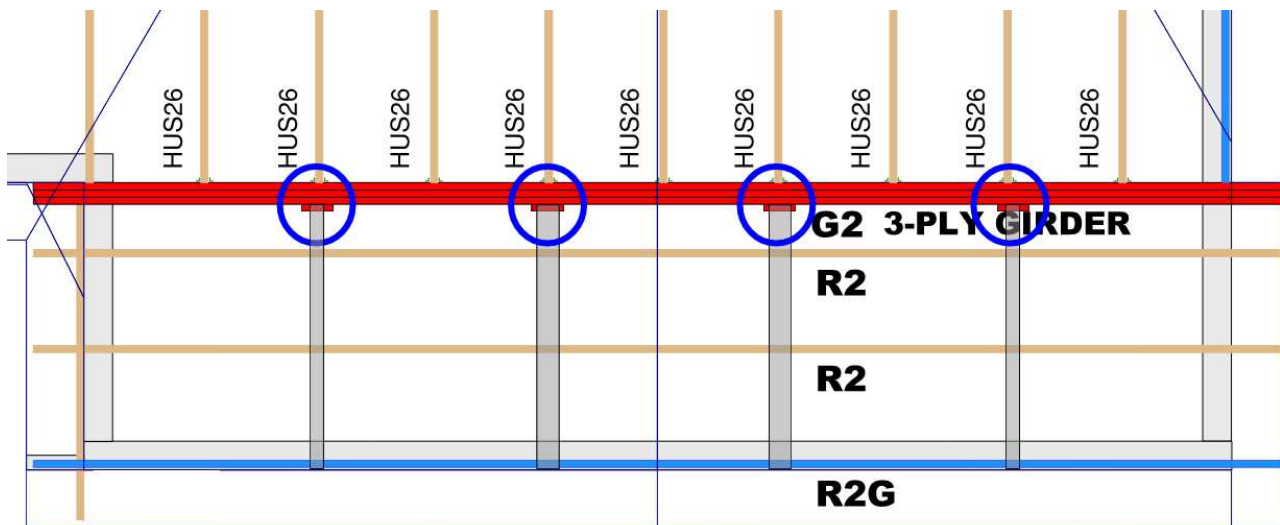
ALL PIGGY BACK BRACES TO BE 2x6 No. 2 SPF (or better)
 SCALE: 3/16" = 1'-0"

ULTIMATE DESIGN WIND SPEED 115 mph
 EXPOSURE CATEGORY B
 2018 IRC



227 GRANITE RUN DRIVE, SUITE 100, LANCASTER, PA 17601
 PHONE: (717) 464-9060 • FAX: (717) 735-2034 • KeystoneCustomHome.com

SHEET DESCRIPTION:		KEYSTONE GABLE BRACE PAGE 3	
SCALE:	AS NOTED	CREATED:	07/12/23
DATE MODIFIED:	MODIFIED BY:	UD	006
	JMK		
© COPYRIGHT 2022			



FLAT BRACE CONNECTION FOR BUMP OUT GABLE

NO SCALE

ULTIMATE DESIGN WIND SPEED 115 mph
EXPOSURE CATEGORY B
2018 IRC



227 GRANITE RUN DRIVE, SUITE 100, LANCASTER, PA 17601
PHONE: (717) 464-9060 • FAX: (717) 735-2034 • KeystoneCustomHome.com

SHEET DESCRIPTION:		KEYSTONE GABLE BRACE PAGE 4	
SCALE: AS NOTED	CREATED: 07/12/23	UD	006
DATE MODIFIED:	MODIFIED BY: JMK		
© COPYRIGHT 2022			

ATTACH 7/16" OSB ROOF SHEATHING TO TOP CHORD OF GABLE TRUSS w/ 6d BOX NAILS @ 6" O.C.
 OR
 w/ ISANTA APPROVED 16 GA. STAPLES (1-3/4" LENGTH) @ 6" O.C.
 ISANTA BRANDS : SENCO, SHANGHAI YUEDA NAIL CO.LTD, BOSTITCH OR DEWALT

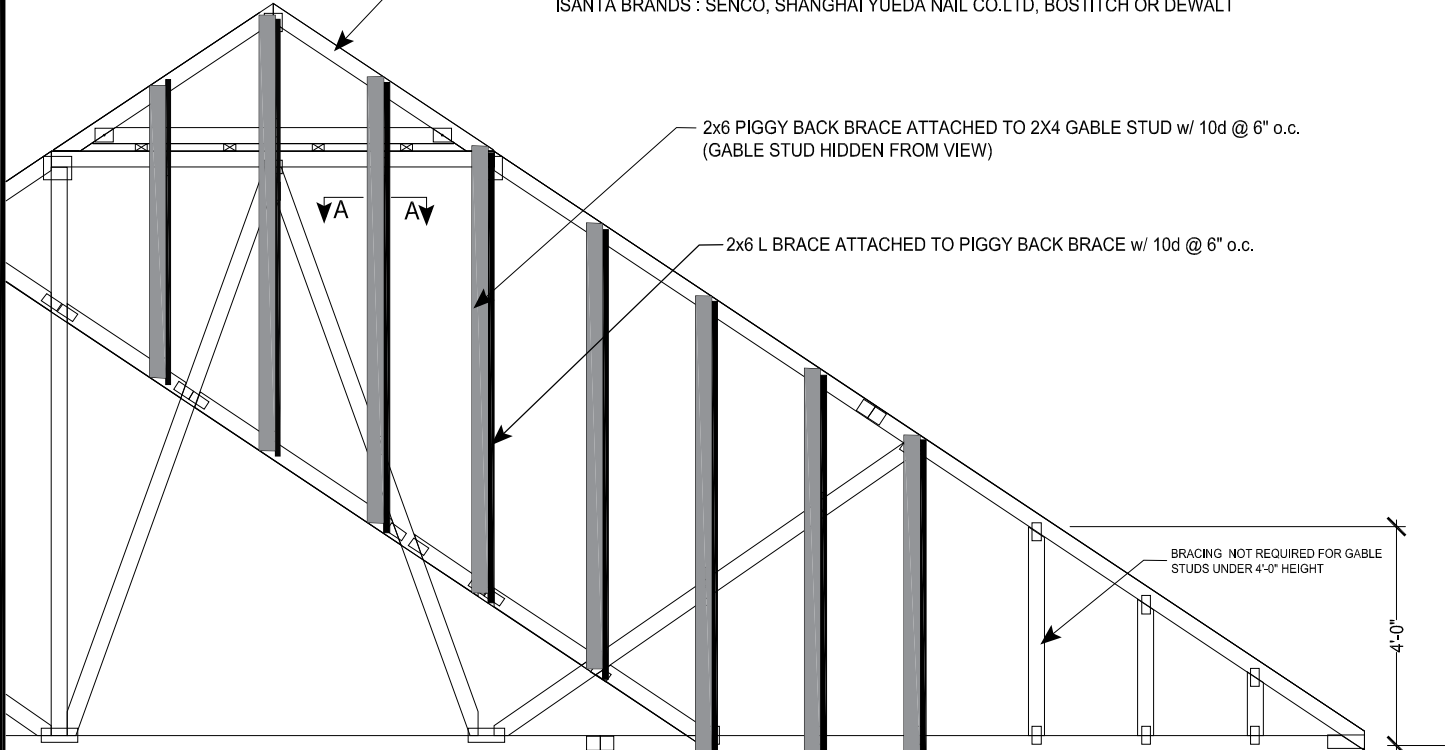
2x6 PIGGY BACK BRACE ATTACHED TO 2X4 GABLE STUD w/ 10d @ 6" o.c.
 (GABLE STUD HIDDEN FROM VIEW)

2x6 L BRACE ATTACHED TO PIGGY BACK BRACE w/ 10d @ 6" o.c.

BRACING NOT REQUIRED FOR GABLE STUDS UNDER 4'-0" HEIGHT

4'-0"

A A



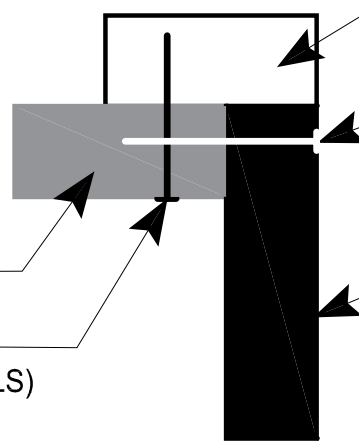
2X4 GABLE STUD

10d NAILS @ 6" o.c.

2X4 PIGGY BACK BRACE

2X6 L BRACE

10d NAILS @ 6" o.c.
 (STAGGERED BETWEEN L BRACE NAILS)



10d NAILS ARE 0.131" X 3" GUN NAILS

SECTION A-A

STRUCTURAL GABLE BRACING

NO SCALE

ULTIMATE DESIGN WIND SPEED 115 mph
 EXPOSURE CATEGORY B
 2018 IRC



227 GRANITE RUN DRIVE, SUITE 100, LANCASTER, PA 17601
 PHONE: (717) 464-9060 • FAX: (717) 735-2034 • KeystoneCustomHome.com

SHEET DESCRIPTION:		KEYSTONE GABLE BRACE	
		PAGE 5	
SCALE:	CREATED:	UD	006
AS NOTED	09/06/23		
DATE MODIFIED:	MODIFIED BY:	© COPYRIGHT 2022	
07/15/24	JFC		